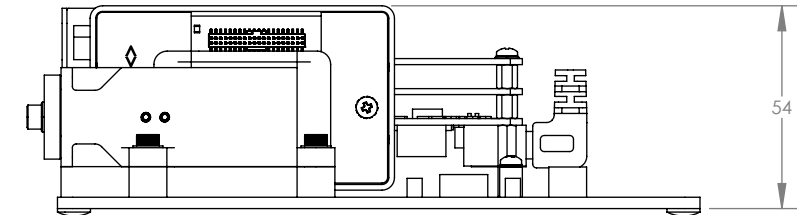
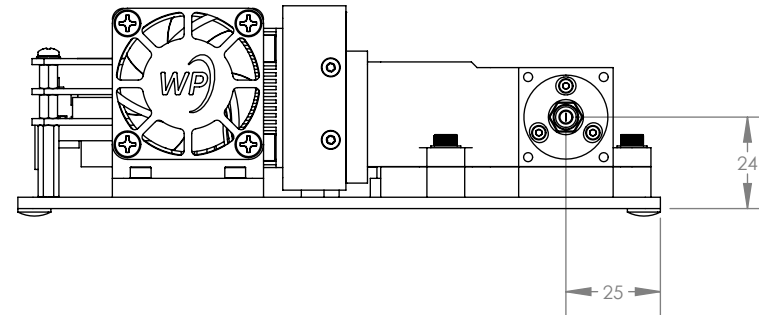
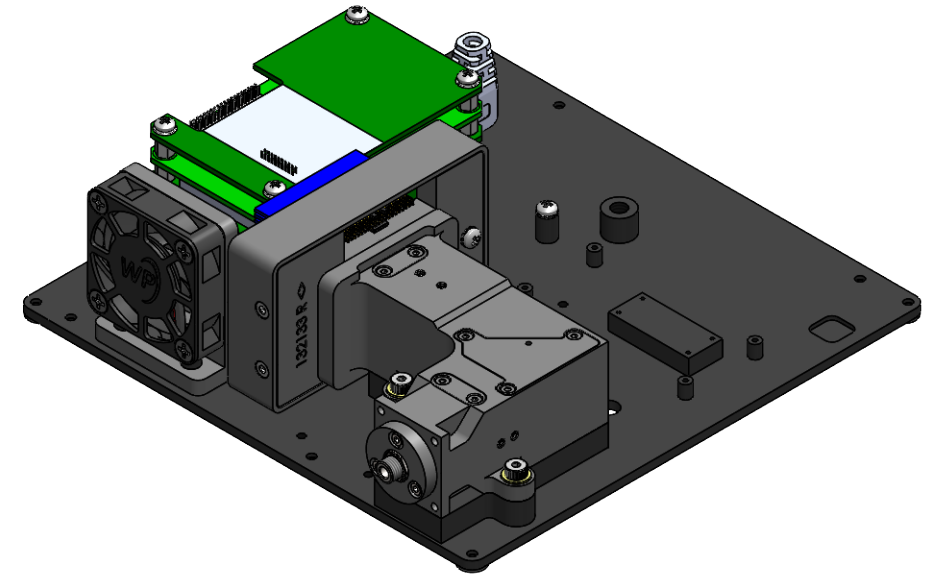
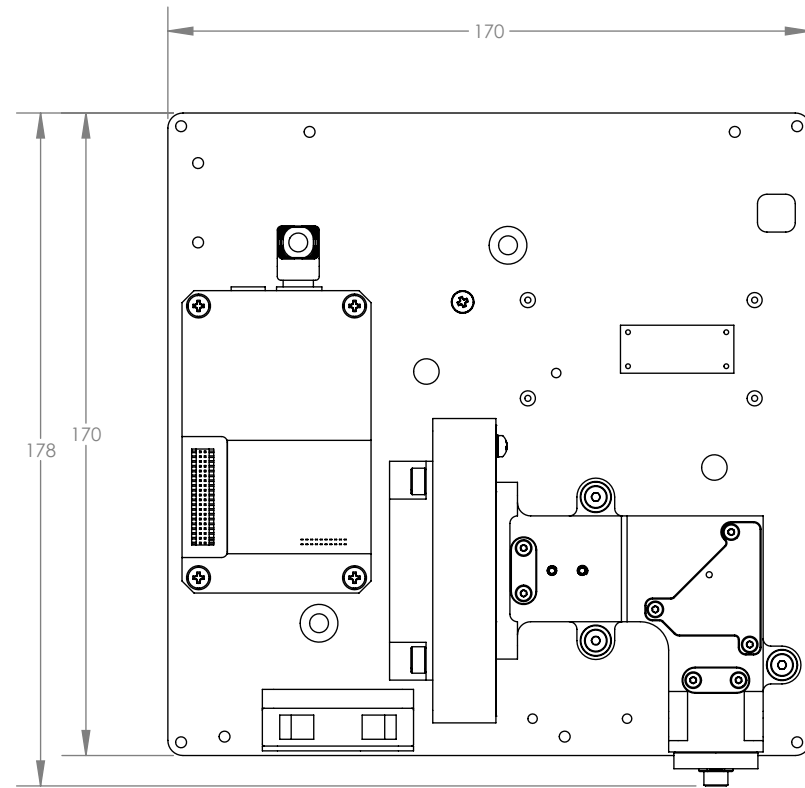


DIMENSIONS IN MILLIMETERS



Wasatch Photonics 808 Aviation Parkway,
Suite 1400
Morrisville, NC 27560

DESCRIPTION
**XM SERIES, 785/830nm, SMA
COUPLED**

PROPRIETARY AND CONFIDENTIAL
THE INFORMATION CONTAINED IN
THIS DRAWING IS THE SOLE
PROPERTY OF WASATCH
PHOTONICS. ANY REPRODUCTION IN
PART OR AS A WHOLE WITHOUT THE
WRITTEN PERMISSION OF WASATCH
PHOTONICS IS PROHIBITED

SIZE B	P/N 140867-X-YY	REV 1
------------------	---------------------------	-----------------

SCALE: 1:2 SHEET 1 OF 1