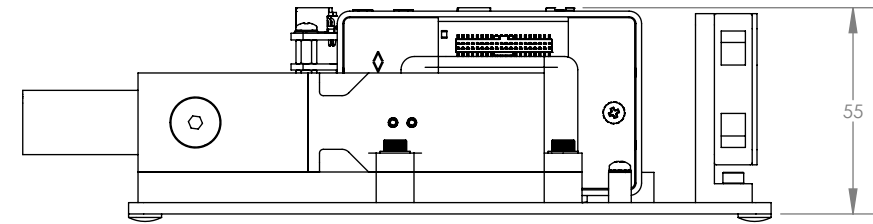
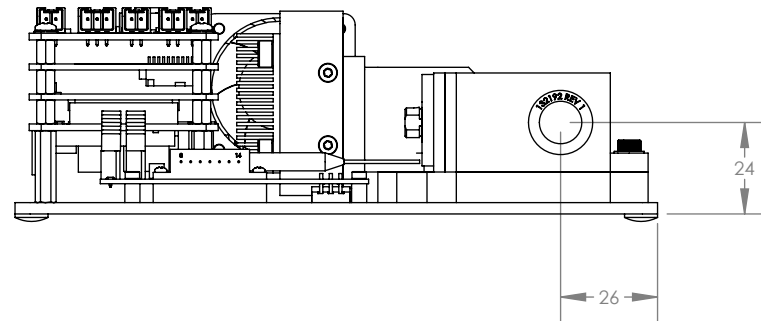
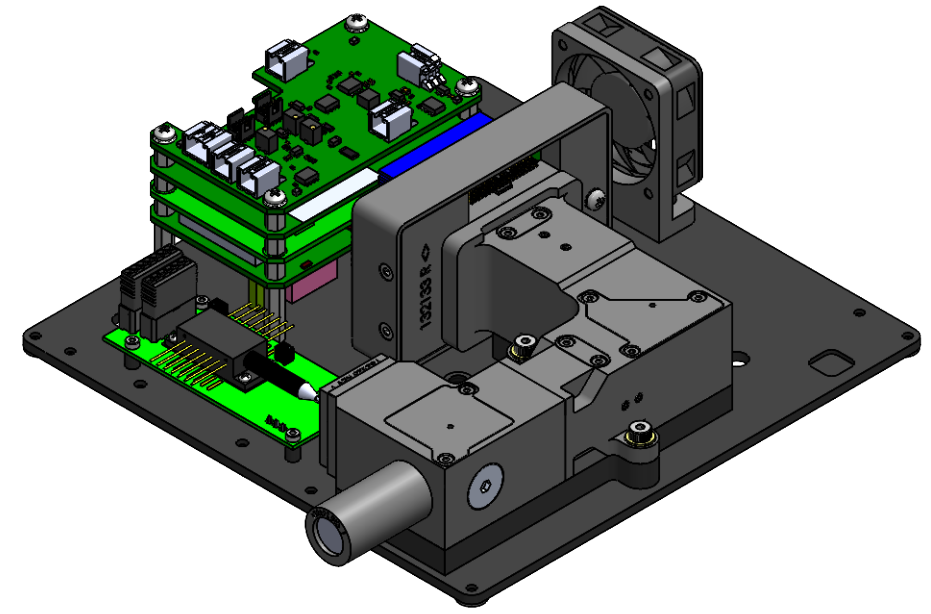
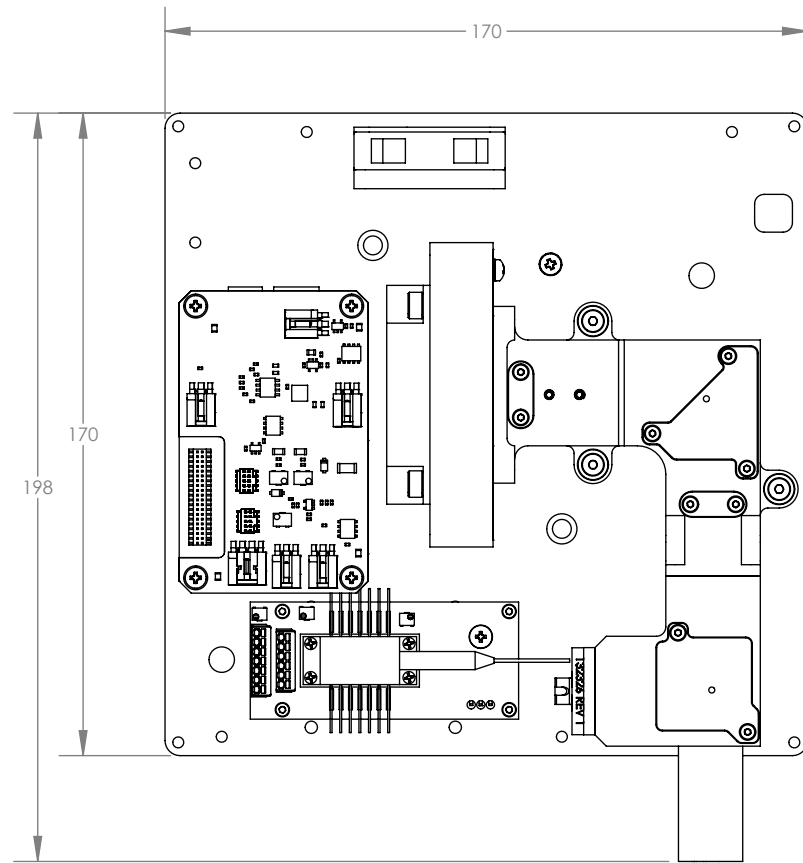


DIMENSIONS IN MILLIMETERS



808 Aviation Parkway,  
Suite 1400  
Morrisville, NC 27560

DESCRIPTION  
**XM SEREIS, 785/830nm, INTEGRATED LASER, INTEGRATED PROBE**

PROPRIETARY AND CONFIDENTIAL  
THE INFORMATION CONTAINED IN  
THIS DRAWING IS THE SOLE  
PROPERTY OF WASATCH  
PHOTONICS. ANY REPRODUCTION IN  
PART OR AS A WHOLE WITHOUT THE  
WRITTEN PERMISSION OF WASATCH  
PHOTONICS IS PROHIBITED

SIZE	P/N	REV
B	<b>140867-X-YY</b>	1
SCALE: 1:2		SHEET 1 OF 1