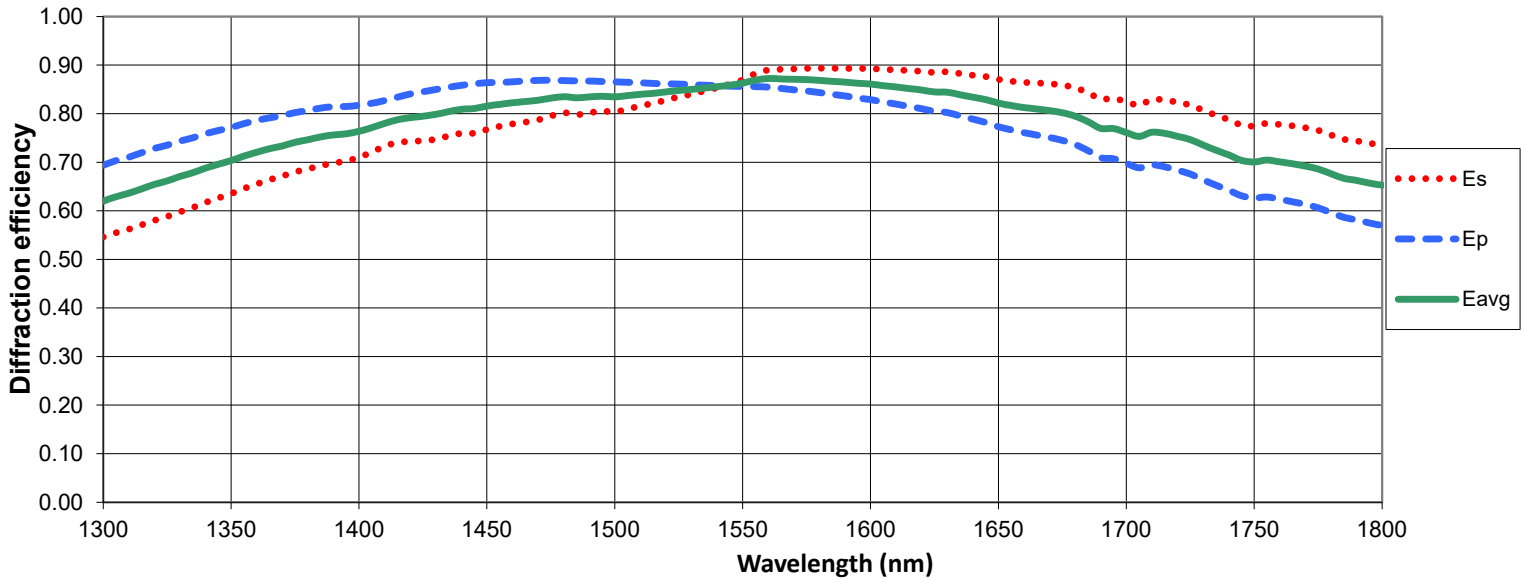
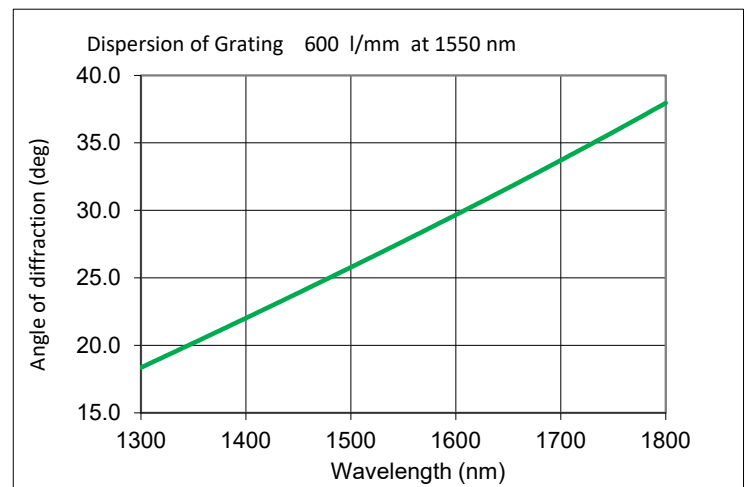
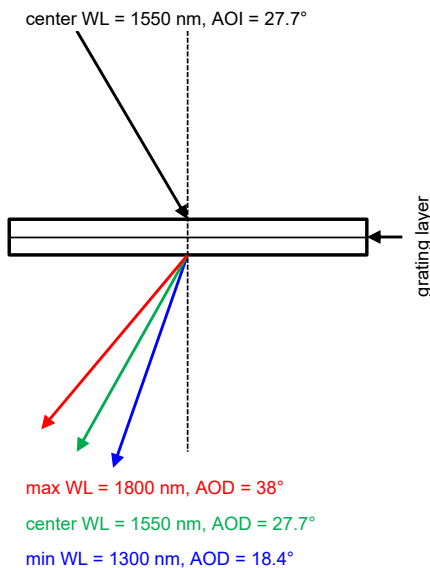
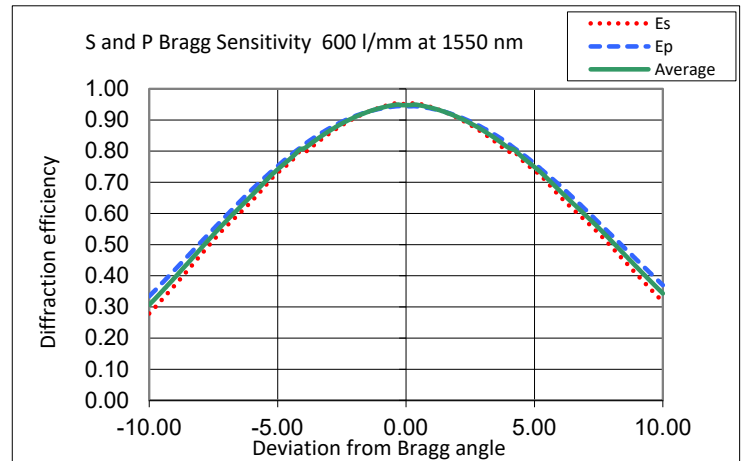
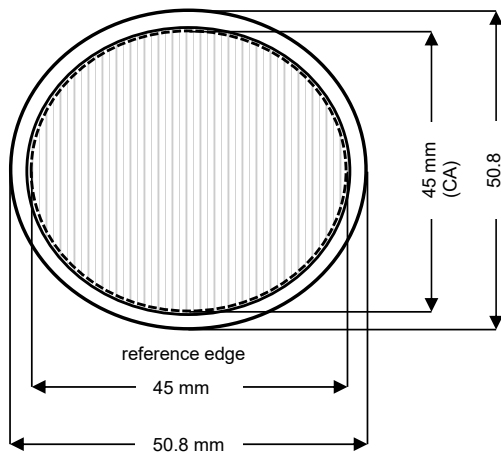


1st Order Diffraction Efficiency, 600 l/mm @ 1550 nm



Diffraction efficiency curves are theoretical. Actual performance will vary slightly.
Includes: glass absorption data, adhesive absorption data, film absorption data, manufacturing tolerances.

Specifications 600 l/mm @ 1550 nm	
Spatial Frequency	600 l/mm +/- 0.5 l/mm
Wavelength Range	1300 to 1800 nm
Center Wavelength	1550 nm
Angle of Incidence	27.7°
Dimensions	50.8 mm dia +/-0.15 mm
Thickness	6 mm +0.25/-0.25 mm
Clear Aperture	45 mm dia +1/-0 mm
Polarization	Average
Surface Quality	60/40
Substrate	N-BK7 or equivalent
AR Coating	Yes
Grating Lines	Indicated by Mark on Edge
Wavefront	λ/4 RMS at 633 nm over CA



Cleaning, Handling, and Storage

Wasatch Photonics' Volume Phase Holographic Gratings, whether they are AR coated or not, can be easily be cleaned just as you would any other glass optic to remove fingerprints, dust, and contaminants. Use the standard optics cleaning method of "drop and drag". Gently wipe the grating with a clean, lint-free cloth/wipe using acetone or alcohol without much pressure; reagent-grade methanol or Windex may also be used. Do not use polishing compounds, abrasive materials, etc. Hard rubbing with such chemical or polishing compounds may damage the AR coating. AR coated surfaces will pass the "Scotch Tape" test.

Gratings may be stored or used at temperatures up to 100C and in cryogenic conditions at less than 100K.