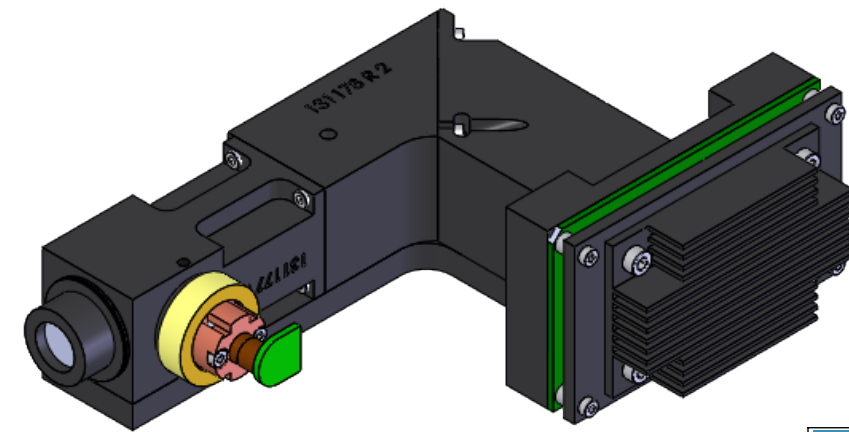
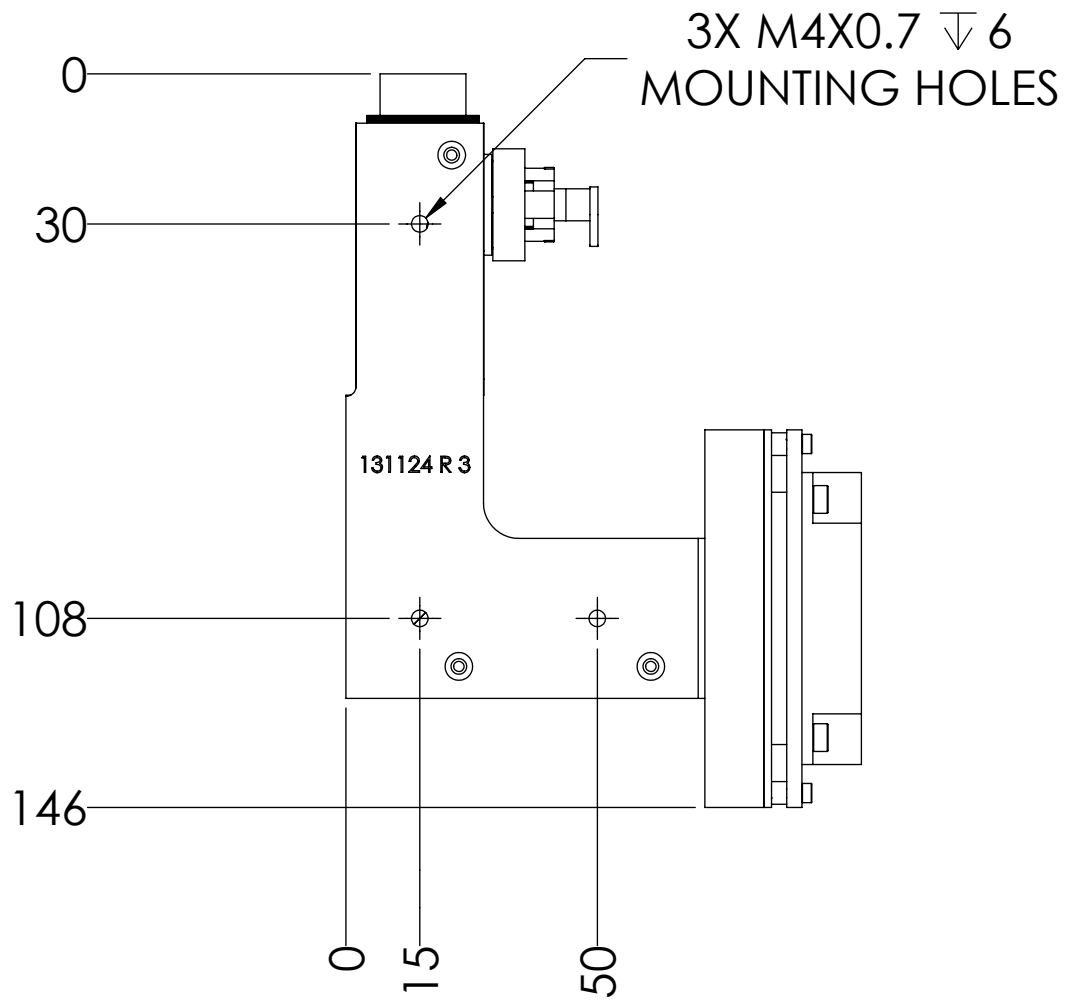
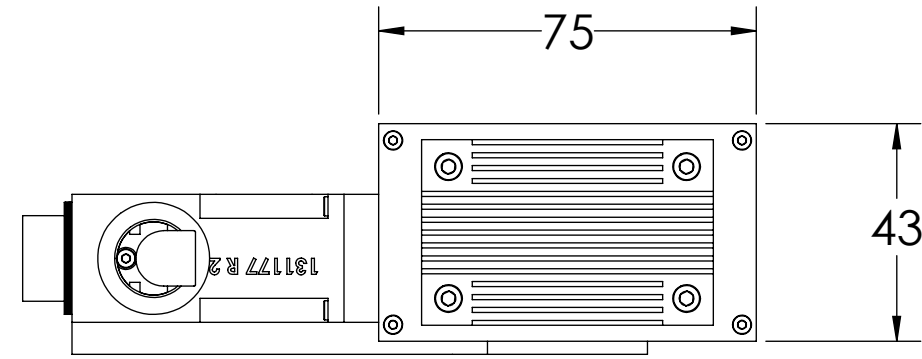
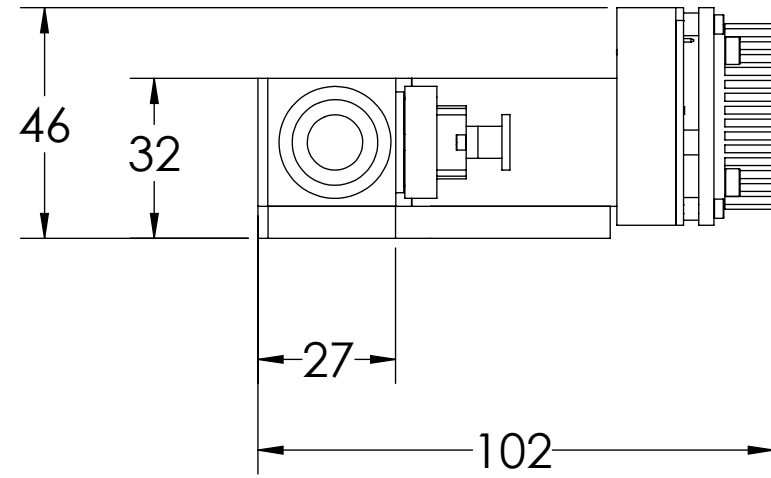


DIMENSIONS IN MILLIMETERS



Wasatch Photonics 4022 Stirrup Creek Dr., Suite 311, Durham, NC 27703

DESCRIPTION  
**785-L-OEM**

PROPRIETARY AND CONFIDENTIAL  
THE INFORMATION CONTAINED IN  
THIS DRAWING IS THE SOLE  
PROPERTY OF WASATCH  
PHOTONICS. ANY REPRODUCTION IN  
PART OR AS A WHOLE WITHOUT THE  
WRITTEN PERMISSION OF WASATCH  
PHOTONICS IS PROHIBITED

SIZE <b>B</b>	P/N <b>NA</b>	REV <b>1</b>
------------------	------------------	-----------------

SCALE: 2:3 SHEET 1 OF 1