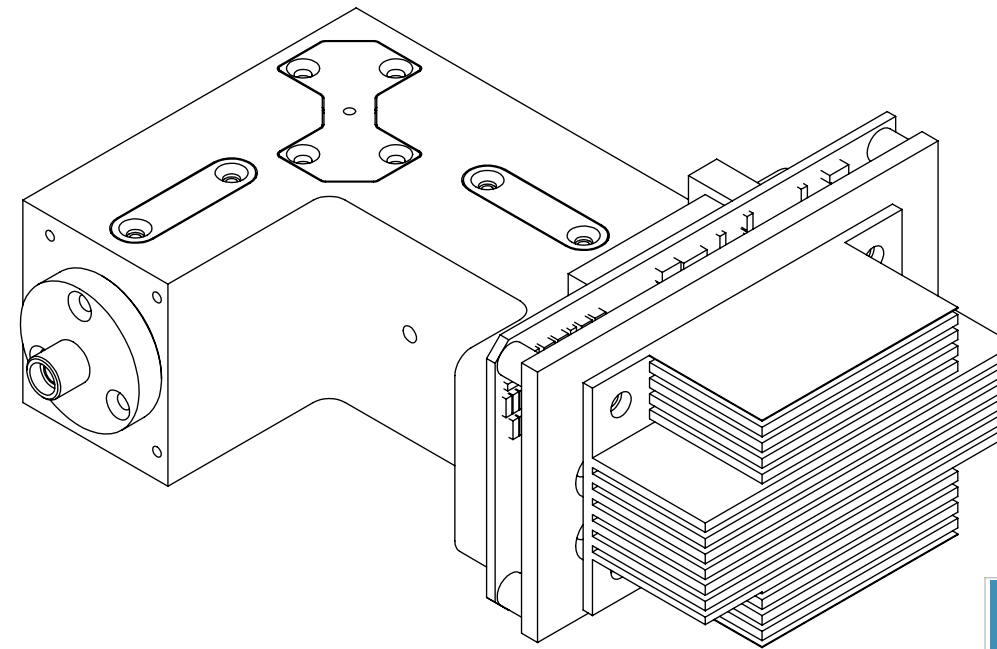
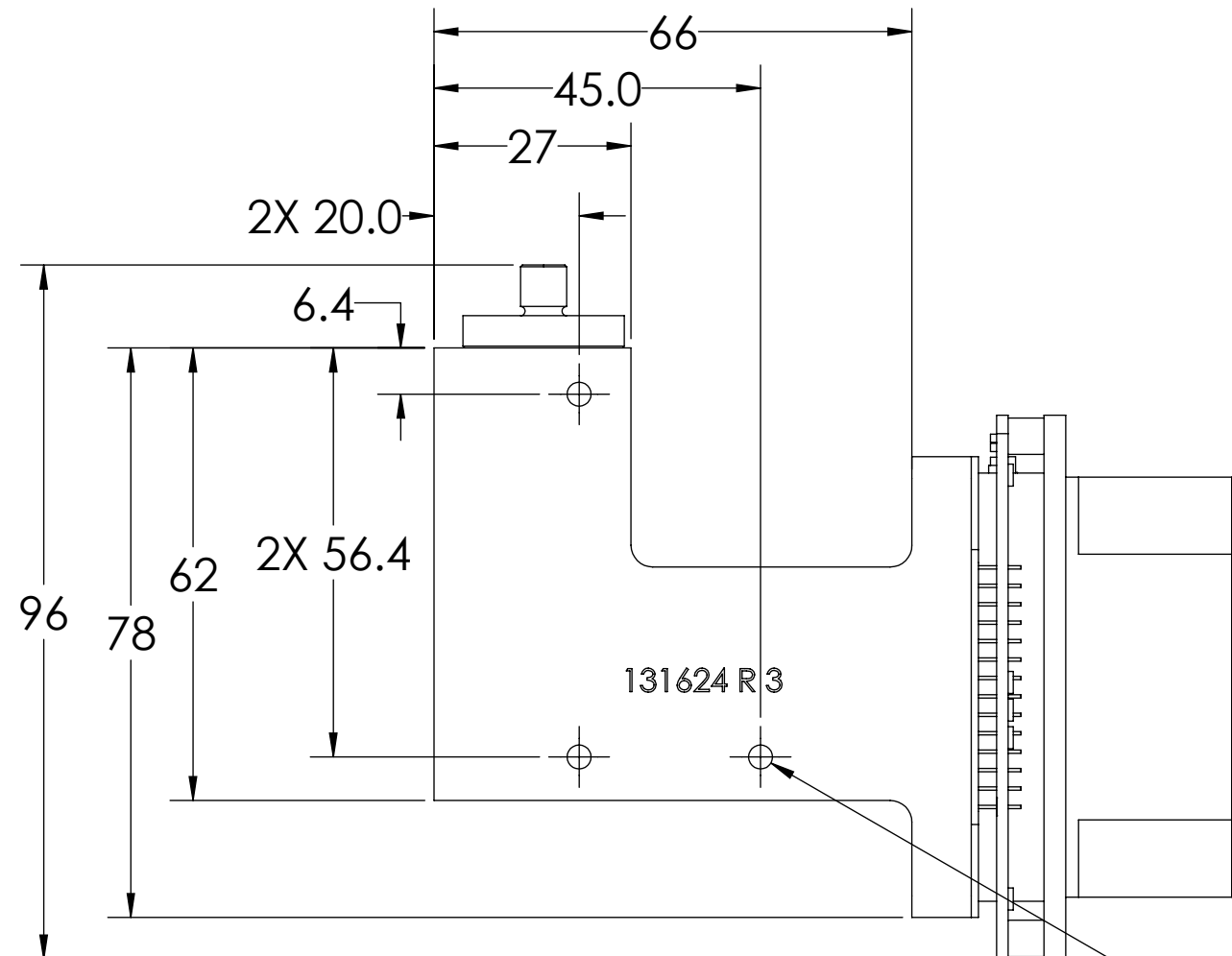
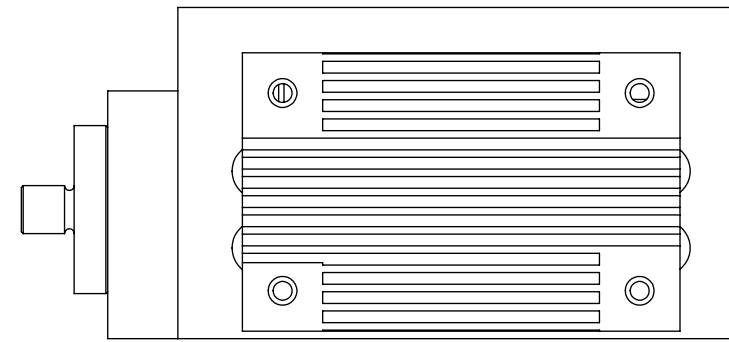
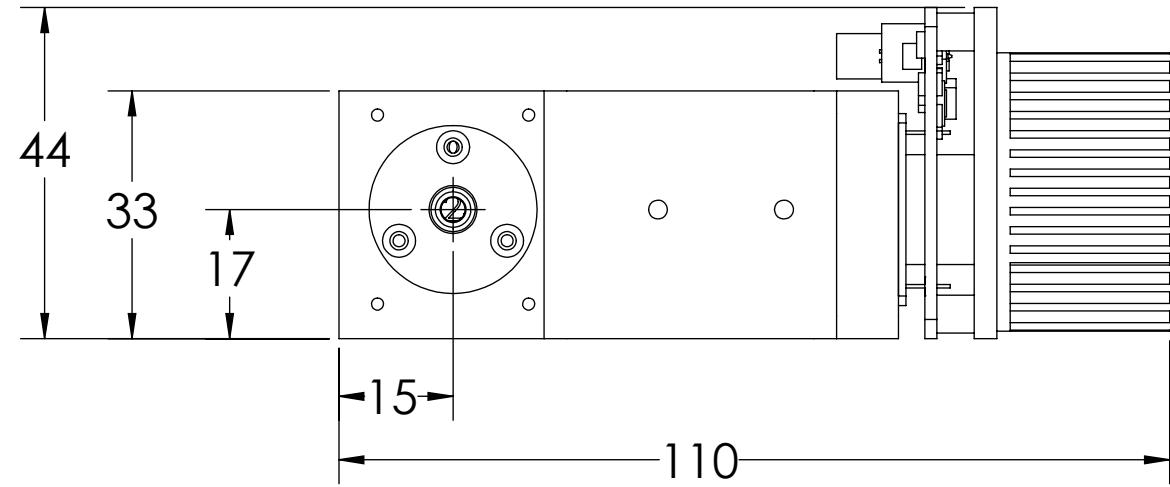


DIMENSIONS IN MILLIMETERS



3X M4X0.7 ∇ 5
MOUNTING HOLES

Wasatch Photonics 4022 Stirrup Creek Dr,
Suite 311
Durham, NC 27703

DESCRIPTION			
1064-OEM-V2			
SIZE	P/N	REV	
B	140544	1	
SCALE: 1:1		SHEET 1 OF 1	

PROPRIETARY AND CONFIDENTIAL
THE INFORMATION CONTAINED IN
THIS DRAWING IS THE SOLE
PROPERTY OF WASATCH
PHOTONICS. ANY REPRODUCTION IN
PART OR AS A WHOLE WITHOUT THE
WRITTEN PERMISSION OF WASATCH
PHOTONICS IS PROHIBITED